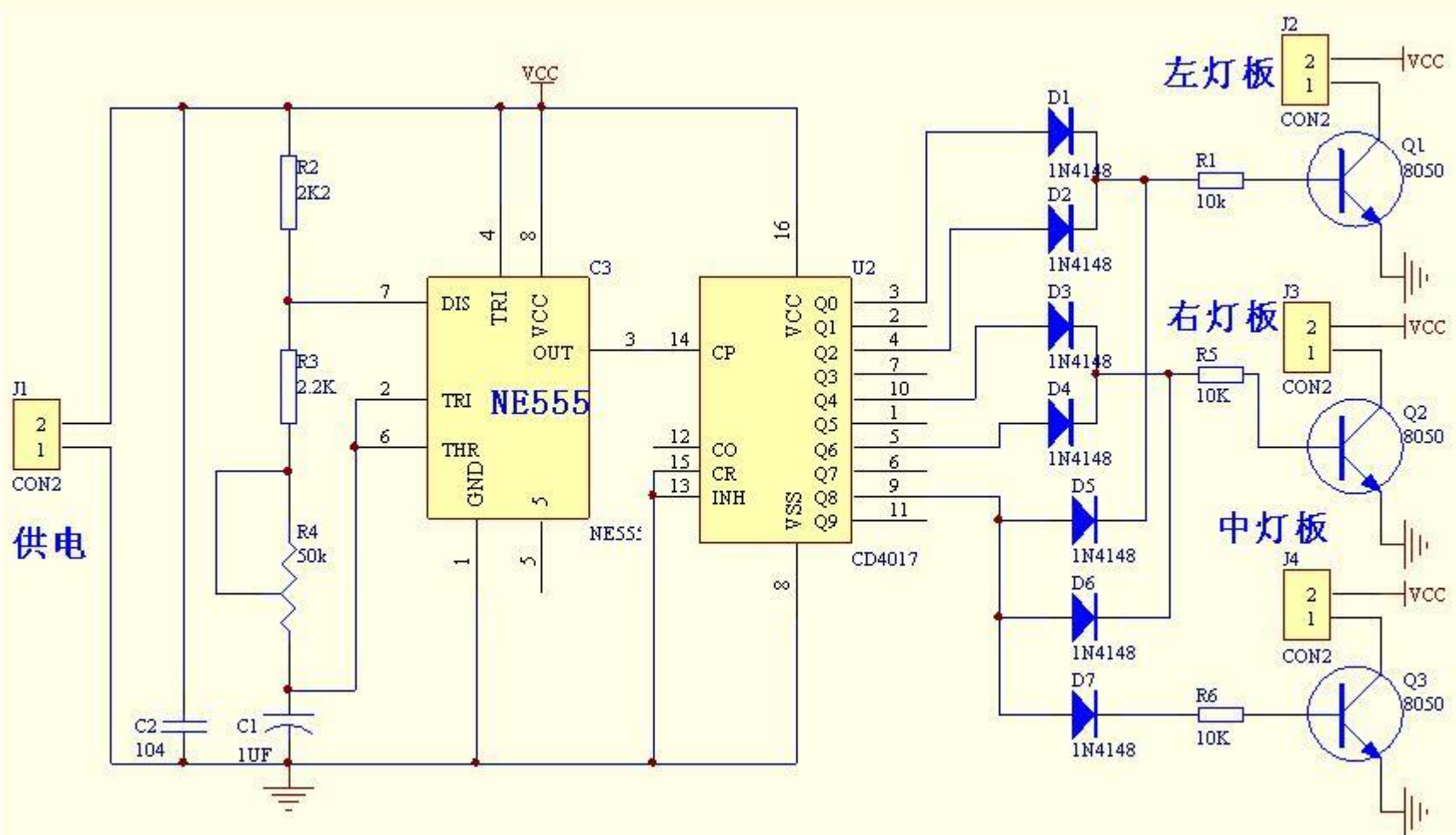
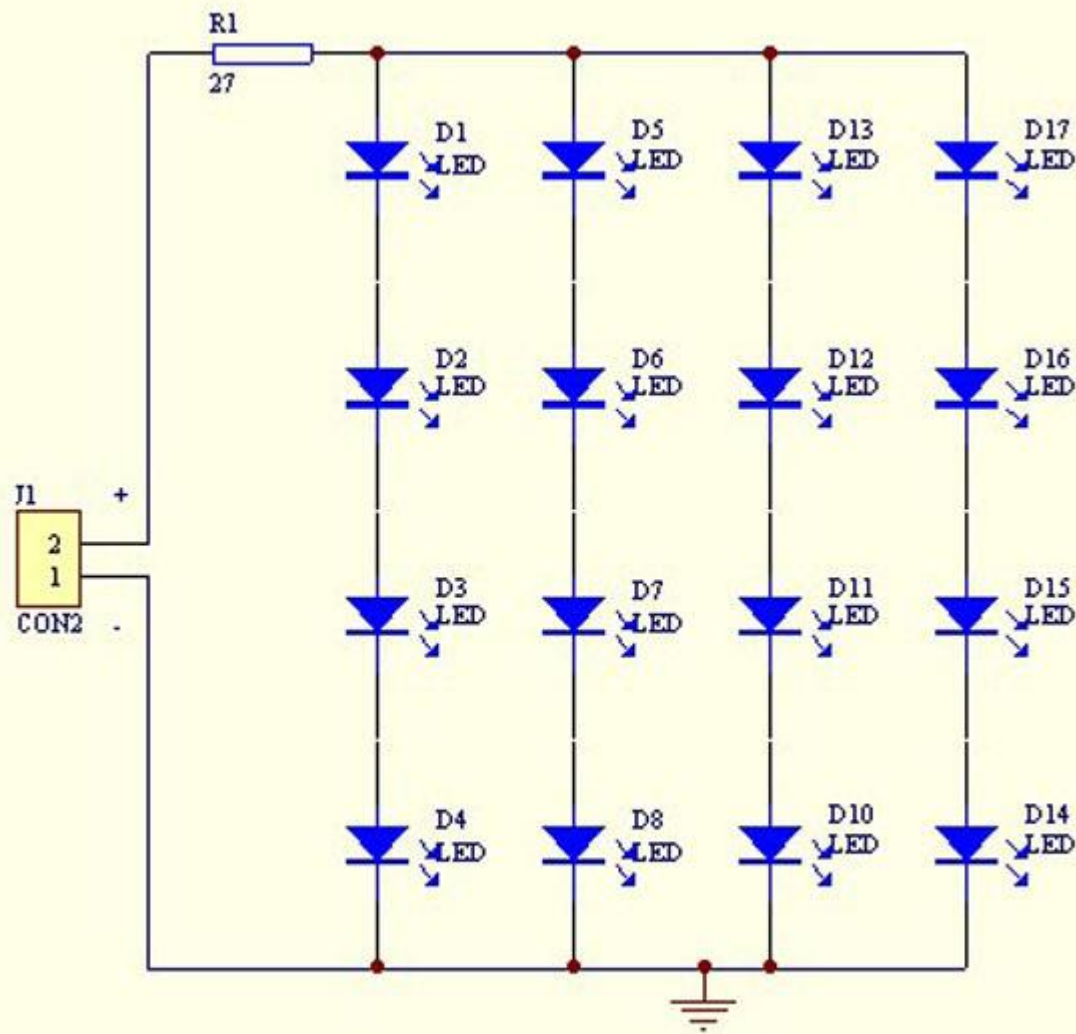
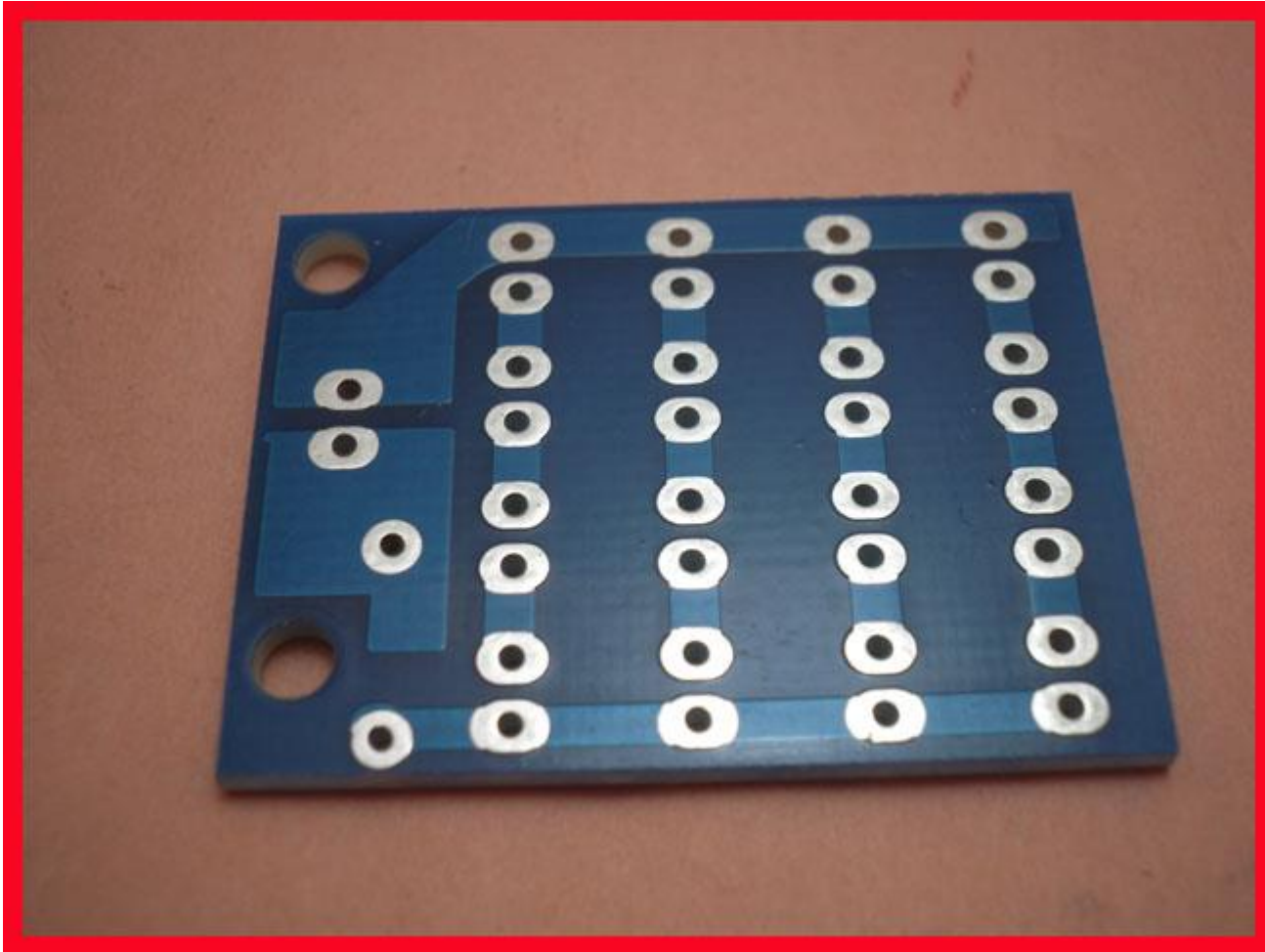
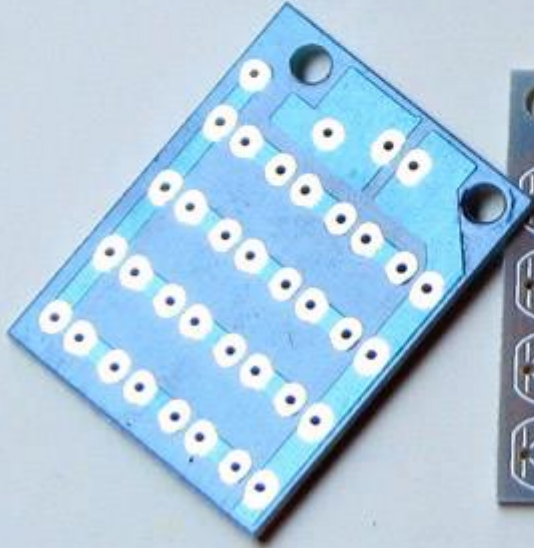
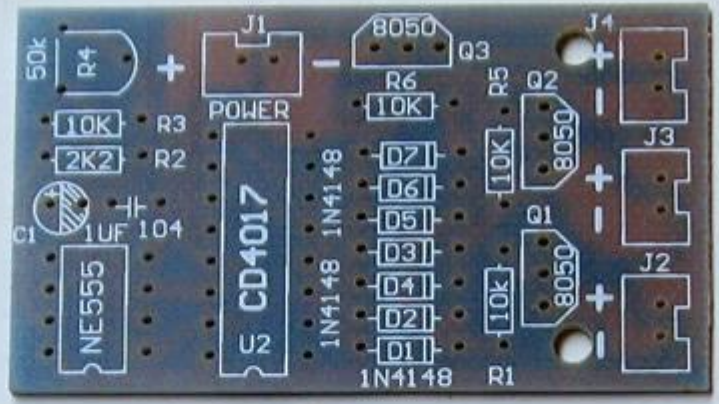


Schematics

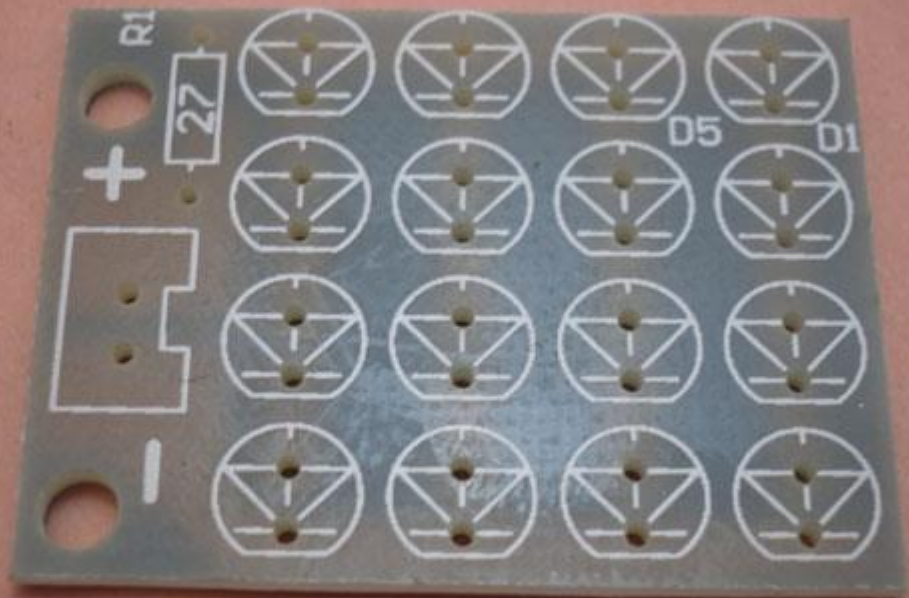


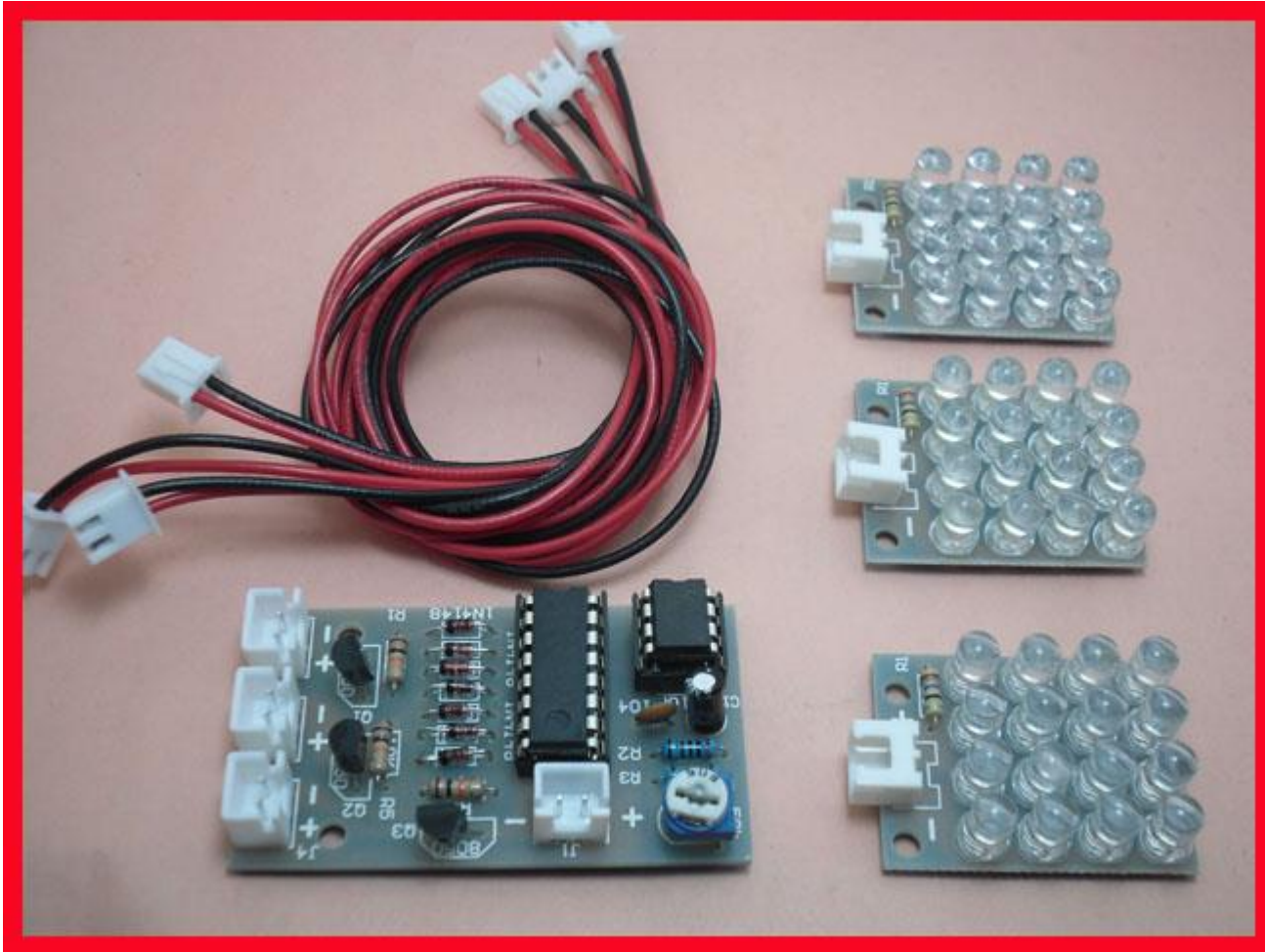


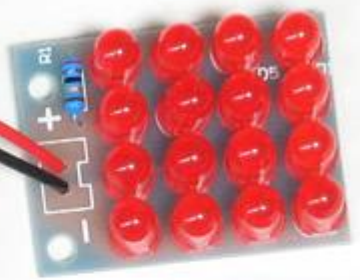
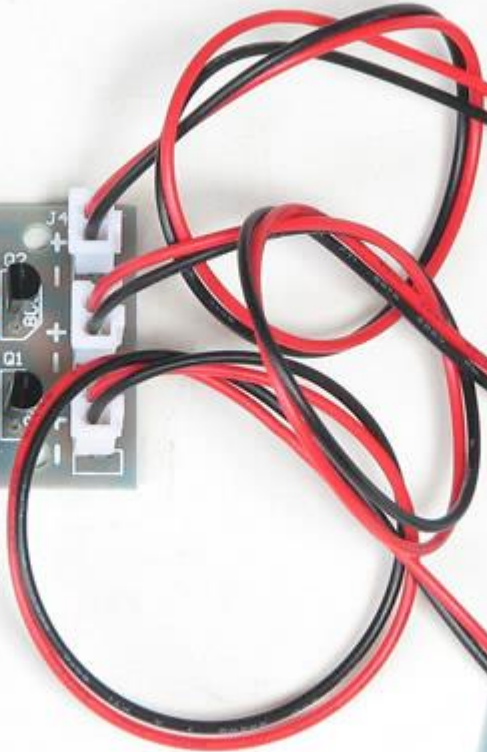
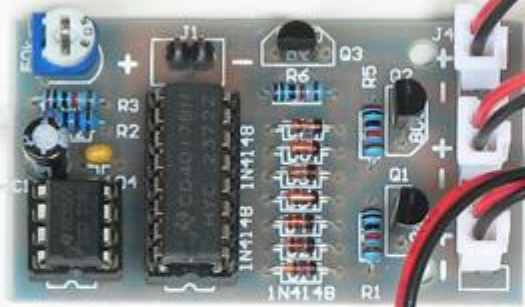




PCBWAY.net







haoDy.net