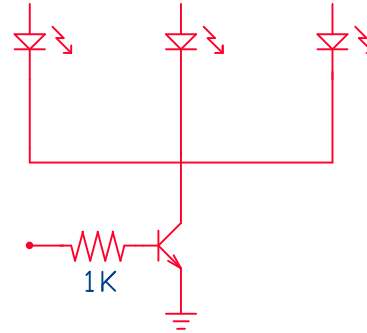
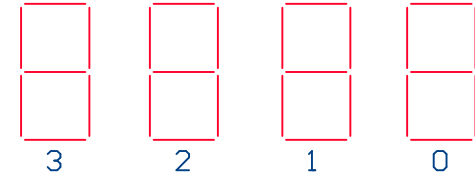


SEGMENTO	PIN
A	2
B	3
C	4
D	10
E	13
F	12
G	11
DP	9

DIGITO

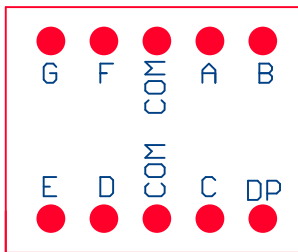


DIGITOS



	A	B	C	D	E	F	G	DP
1					X	X		
2	X	X		X	X		X	
3	X	X	X				X	
4		X	X			X	X	
5	X			X			X	
6	X		X	X		X	X	
7	X	X	X					
8	X	X	X	X		X	X	
9	X	X	X			X	X	
DP								X

DIGITO	PIN
0	5
1	6
2	7
3	8



ELECTRONICA ESTUDIO

DISP 7 SEG.

ARDUINO

Clave:
ARD100E11